



# BLIND CORNER

Let Rev-A-Shelf® end your blind corner dilemma with our line of innovative organizational accessories. Specially designed to maximize the storage capacity of your cabinets, each product incorporates revolutionary pivot, pull and slide technologies that allow access to every inch of the organizers. While functional and practical, our blind corner solutions are aesthetically pleasing and available in an array of finishes and colors.

*Innovation through Organization™*

# 5370 Series

# The Cloud Contemporary Blind Corner



- Designed for 15", 18" and 21" blind corner cabinet openings
- Single and double solid bottom shelves, orion gray
- Textured linen finish with orion gray flat wire accents
- Left or right handed mounting
- Mounts to cabinet floor (single) and side walls (double)
- Mounted telescopic post system (double)
- 45 lb. capacity per shelf
- Soft-close available (sold separately)
- TSCA Title VI compliant



Scan for video

5372-21-FOG-R

**Single blind corner organizer for left door/ blind right corner**



**Double blind corner organizer for right door/ blind left corner**



PRODUCT #	SURFACE AREA
5371-15	361 sq. in.
5371-18	471 sq. in.
5371-21	527 sq. in.
5372-15	722 sq. in.
5372-18	942 sq. in.
5372-21	1054 sq. in.

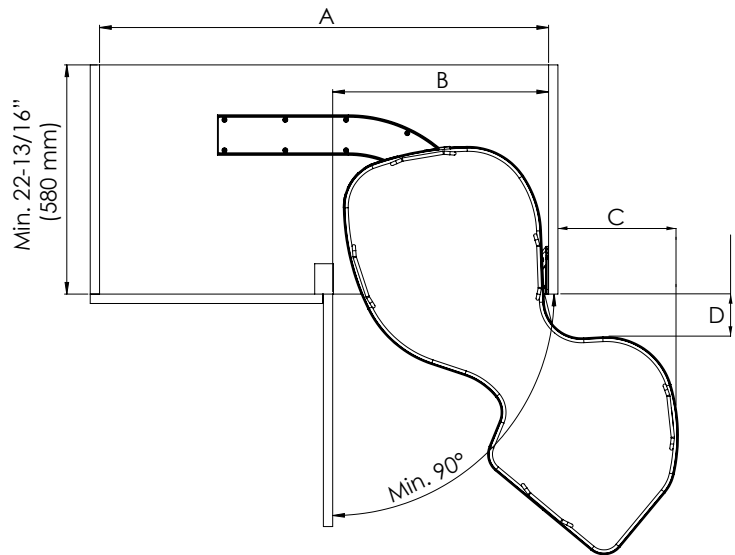
Min. Dimensions				
PRODUCT #	A	B	C	D
5371-15/ 5372-15	34" (864 mm)	15" (381 mm)	7" (180 mm)	4-1/8" (106 mm)
5371-18/5372-18	38" (965 mm)	18" (457 mm)	9-3/16" (233 mm)	3-9/16" (91 mm)
5371-21/5372-21	40" (1016 mm)	21" (533 mm)	9-1/4" (235 mm)	3-7/8" (98 mm)



**5371-21-FOG-L**  
Single Blind Corner Organizer for  
left door/blind right cabinet  
(21" Shelf shown)



**5372-15-FOG-L**  
Single Blind Corner Organizer for  
left door/blind right cabinet  
(15" Shelves shown)



Featuring orion gray flat wire with  
textured linen solid bottom

#### Single Blind Corner for Right Door/Blind Left Cabinets

PRODUCT	DESCRIPTION	DIMS	MCO	CAB	FINISH	SLP
5371-15-FOG-R	Single for 15" Cabinet Opening	33" (839 mm) W x 21-7/8" (556 mm) D x 6-1/2" (166 mm) H	15" (381 mm)	BC42	Orion Gray	\$375.55
5371-18-FOG-R	Single for 18" Cabinet Opening	37-19/32" (956 mm) W x 21-9/16" (548 mm) D x 6-1/2" (166 mm) H	18" (457 mm)	BC45	Orion Gray	\$390.05
5371-21-FOG-R	Single for 21" Cabinet Opening	39" (991 mm) W x 21-3/4" (553 mm) D x 6-1/2" (166 mm) H	21" (533 mm)	BC48	Orion Gray	\$378.45

#### Single Blind Corner for Left Door/Blind Right Cabinets

5371-15-FOG-L	Single for 15" Cabinet Opening	33" (839 mm) W x 21-7/8" (556 mm) D x 6-1/2" (166 mm) H	15" (381 mm)	BC42	Orion Gray	\$375.55
5371-18-FOG-L	Single for 18" Cabinet Opening	37-19/32" (956 mm) W x 21-9/16" (548 mm) D x 6-1/2" (166 mm) H	18" (457 mm)	BC45	Orion Gray	\$390.05
5371-21-FOG-L	Single for 21" Cabinet Opening	39" (991 mm) W x 21-3/4" (553 mm) D x 6-1/2" (166 mm) H	21" (533 mm)	BC48	Orion Gray	\$378.45

#### Double Blind Corner for Right Door/Blind Left Cabinets

5372-15-FOG-R	Double for 15" Cabinet Opening	33" (839 mm) W x 21-7/8" (556 mm) D x 24-1/2 - 30-1/4" (623 - 769 mm) H	15" (381 mm)	BC42	Orion Gray	\$869.30
5372-18-FOG-R	Double for 18" Cabinet Opening	37-19/32" (956 mm) W x 21-9/16" (548 mm) D x 24-1/2 - 30-1/4" (623 - 769 mm) H	18" (457 mm)	BC45	Orion Gray	\$899.00
5372-21-FOG-R	Double for 21" Cabinet Opening	39" (991 mm) W x 21-3/4" (553 mm) D x 24-7/16 - 30-1/4" (621 - 769 mm) H	21" (533 mm)	BC48	Orion Gray	\$913.50

#### Double Blind Corner for Left Door/Blind Right Cabinets

5372-15-FOG-L	Double for 15" Cabinet Opening	33" (839 mm) W x 21-7/8" (556 mm) D x 24-1/2 - 30-1/4" (623 - 769 mm) H	15" (381 mm)	BC42	Orion Gray	\$869.30
5372-18-FOG-L	Double for 18" Cabinet Opening	37-19/32" (956 mm) W x 21-9/16" (548 mm) D x 24-1/2 - 30-1/4" (623 - 769 mm) H	18" (457 mm)	BC45	Orion Gray	\$899.00
5372-21-FOG-L	Double for 21" Cabinet Opening	39" (991 mm) W x 21-3/4" (553 mm) D x 24-7/16 - 30-1/4" (621 - 769 mm) H	21" (533 mm)	BC48	Orion Gray	\$913.50

#### Soft-Close Kit

5371-SC-KIT-1	Soft-Close Kit for Single Shelf					\$75.40
5372-SC-KIT-2	Soft-Close Kit for Double Shelves					\$145.00

# 5370 Series

## The Cloud Contemporary Blind Corner



- Designed for 15", 18" and 21" blind corner cabinet openings
- Single and double solid bottom shelves, natural maple or gray
- Chrome round wire accents
- Left or right handed mounting
- Mounts to cabinet floor (single) and side walls (double)
- Mounted telescopic post system (double)
- 45 lb. capacity per shelf
- Soft-close available (sold separately)
- TSCA Title VI compliant



**Single blind corner organizer for left door/ blind right corner**



5372-21-MP-L

**Double blind corner organizer for right door/ blind left corner**



Scan for video

PRODUCT #	SURFACE AREA
5371-15	361 sq. in.
5371-18	471 sq. in.
5371-21	527 sq. in.
5372-15	722 sq. in.
5372-18	942 sq. in.
5372-21	1054 sq. in.

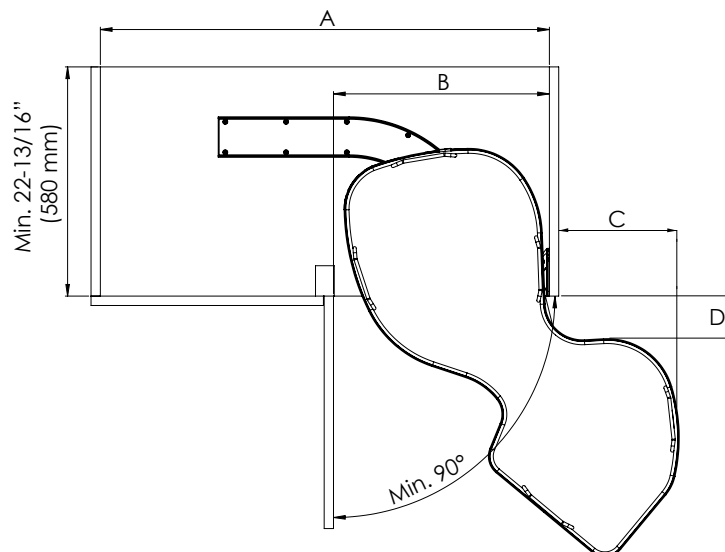
Min. Dimensions				
PRODUCT #	A	B	C	D
5371-15/ 5372-15	34" (864 mm)	15" (381 mm)	7" (180 mm)	4-1/8" (106 mm)
5371-18/5372-18	38" (965 mm)	18" (457 mm)	9-3/16" (233 mm)	3-9/16" (91 mm)
5371-21/5372-21	40" (1016 mm)	21" (533 mm)	9-1/4" (235 mm)	3-7/8" (98 mm)



**5371-21-GR-R**  
Single Blind Corner Organizer for  
right door/blind left cabinet  
(21" Gray Shelf shown)



**5372-15-MP-L**  
Single Blind Corner Organizer for  
left door/blind right cabinet  
(15" Maple Shelves shown)



**NOTE:** \*\* Insert "MP" for Maple Shelf or "GR" for Gray Shelf

#### Single Blind Corner for Right Door/Blind Left Cabinets

PRODUCT	DESCRIPTION	DIMS	MCO	CAB	SLP
5371-15-**-R	Single for 15" Cabinet Opening	33" (838 mm) W x 21-7/8" (556 mm) D x 6-1/2" (165 mm) H	15" (381 mm)	BC42	\$327.70
5371-18-**-R	Single for 18" Cabinet Opening	37-5/8" (956 mm) W x 21-9/16" (548 mm) D x 6-1/2" (165 mm) H	18" (457 mm)	BC45	\$336.40
5371-21-**-R	Single for 21" Cabinet Opening	39" (991 mm) W x 21-3/4" (553 mm) D x 6-1/2" (165 mm) H	21" (533 mm)	BC48	\$342.20

#### Single Blind Corner for Left Door/Blind Right Cabinets

5371-15-**-L	Single for 15" Cabinet Opening	33" (839 mm) W x 21-7/8" (556 mm) D x 6-1/2" (166 mm) H	15" (381 mm)	BC42	\$327.70
5371-18-**-L	Single for 18" Cabinet Opening	37-19/32" (956 mm) W x 21-9/16" (548 mm) D x 6-1/2" (166 mm) H	18" (457 mm)	BC45	\$336.40
5371-21-**-L	Single for 21" Cabinet Opening	39" (991 mm) W x 21-3/4" (553 mm) D x 6-1/2" (166 mm) H	21" (533 mm)	BC48	\$342.20

#### Double Blind Corner for Right Door/Blind Left Cabinets

5372-15-**-R	Double for 15" Cabinet Opening	33" (839 mm) W x 21-7/8" (556 mm) D x 24-1/2 - 30-1/4" (623 - 769 mm) H	15" (381 mm)	BC42	\$826.50
5372-18-**-R	Double for 18" Cabinet Opening	37-19/32" (956 mm) W x 21-9/16" (548 mm) D x 24-1/2 - 30-1/4" (623 - 769 mm) H	18" (457 mm)	BC45	\$841.00
5372-21-**-R	Double for 21" Cabinet Opening	39" (991 mm) W x 21-3/4" (553 mm) D x 24-7/16 - 30-1/4" (621 - 769 mm) H	21" (533 mm)	BC48	\$870.00

#### Double Blind Corner for Left Door/Blind Right Cabinets

5372-15-**-L	Double for 15" Cabinet Opening	33" (839 mm) W x 21-7/8" (556 mm) D x 24-1/2 - 30-1/4" (623 - 769 mm) H	15" (381 mm)	BC42	\$826.50
5372-18-**-L	Double for 18" Cabinet Opening	37-19/32" (956 mm) W x 21-9/16" (548 mm) D x 24-1/2 - 30-1/4" (623 - 769 mm) H	18" (457 mm)	BC45	\$841.00
5372-21-**-L	Double for 21" Cabinet Opening	39" (991 mm) W x 21-3/4" (553 mm) D x 24-7/16 - 30-1/4" (621 - 769 mm) H	21" (533 mm)	BC48	\$870.00

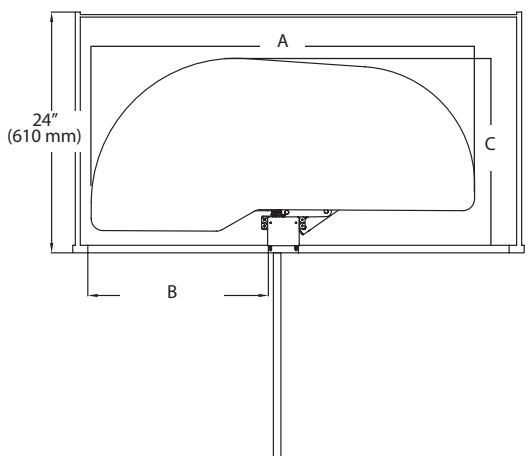
#### Soft-Close Kit

5371-SC-KIT-1	Soft-Close Kit for Single Shelf				\$75.40
5372-SC-KIT-2	Soft-Close Kit for Double Shelves				\$145.00



- Designed for 12", 15" or 18" blind cabinet openings
- Unique pullout motion limits interference with adjacent cabinets & appliances
- Soft-opening and closing system
- Two-tier, solid bottom adjustable shelves, maple
- 33 lb. (per front shelf) capacity
- Easy 8-screw installation
- Italian design
- TSCA Title VI compliant

587-12-RMP



## Min. Dimensions

PRODUCT #	A	B	C	Surface Area
587-12-***	34" (864 mm)	12" (305 mm)	14-3/16" (360mm)	310 sq in per shelf
587-15-***	37" (940 mm)	15" (381 mm)	16-5/32" (410 mm)	418 sq in per shelf
587-18-***	39" (991 mm)	18" (457 mm)	18-1/2" (470 mm)	511 sq in per shelf



Easily adjustable top shelf

## Two-Tier Blind Corner Optimizer for Right Door/Blind Left Cabinets

PRODUCT	DESCRIPTION	DIMS	MCO	CAB	SLP
587-12-RMP	Double for 12" Cabinet Opening	32-23/32" (832 mm) W x 14-13/32" (367 mm) D x 24-13/32 - 30-11/16" (621 - 780 mm) H	12" (305 mm)	BC42	\$850.00
587-15-RMP	Double for 15" Cabinet Opening	35-1/2" (902 mm) W x 16-7/16" (418 mm) D x 24-1/2 - 30-1/2" (623 - 775 mm) H	15" (381 mm)	BC45	\$861.45
587-18-RMP	Double for 18" Cabinet Opening	38-13/32" (976 mm) W x 18-15/32" (470 mm) D x 24-1/2 - 30-1/2" (623 - 775 mm) H	18" (457 mm)	BC48	\$873.65

## Two-Tier Blind Corner Optimizer for Left Door/Blind Right Cabinets

PRODUCT	DESCRIPTION	DIMS	MCO	CAB	SLP
587-12-LMP	Double for 12" Cabinet Opening	32-23/32" (832 mm) W x 14-13/32" (367 mm) D x 24-13/32 - 30-11/16" (621 - 780 mm) H	12" (305 mm)	BC42	\$850.00
587-15-LMP	Double for 15" Cabinet Opening	35-1/2" (902 mm) W x 16-7/16" (418 mm) D x 24-1/2 - 30-1/2" (623 - 775 mm) H	15" (381 mm)	BC45	\$861.45
587-18-LMP	Double for 18" Cabinet Opening	38-13/32" (976 mm) W x 18-15/32" (470 mm) D x 24-1/2 - 30-1/2" (623 - 775 mm) H	18" (457 mm)	BC48	\$873.65

# Maple Girasolo Blind Corner Optimizer

## 4WLS Series

Waste

Blind Corner

Sink

Base

Tall

Drawer

Wall

Vanity

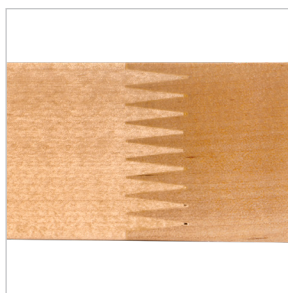
Closet

Lazy Susan

Lighting



- Designed for 12", 15" or 18" blind cabinet openings
- 5/8" thick natural maple shelf bottom
- 1-5/8" solid wood frame with a finger joint rim
- Pulls directly forward, eliminating clearance issues from adjacent appliances
- Left or right-handed mounting
- Mounts to cabinet floor, side and top
- Mounted telescopic with a soft-close pivot hardware system
- Easy installation
- 33 lb. capacity per shelf
- Soft-close pivot hardware system
- Vertically adjustable shelves
- TSCA Title VI compliant



Finger joint construction

### Maple Two-Tier Blind Corner Optimizer for Right Door/Blind Left Cabinets

PRODUCT	DESCRIPTION	DIMS	MCO	CAB	SLP
4WLS87-12-R	Double for 12" Cabinet Opening	33-1/16" (840 mm) W x 14-9/16" (371 mm) D x 24-13/32 - 30-11/16" (621 - 780 mm) H	12" (305 mm)	BC42	\$724.25
4WLS87-15-R	Double for 15" Cabinet Opening	35-13/16" (910 mm) W x 16-5/8" (423 mm) D x 24-13/32 - 30-11/16" (621 - 780 mm) H	15" (381 mm)	BC45	\$740.25
4WLS87-18-R	Double for 18" Cabinet Opening	37-31/32" (965 mm) W x 18-1/32" (459 mm) D x 24-13/32 - 30-11/16" (621 - 780 mm) H	18" (457 mm)	BC48	\$761.10

### Maple Two-Tier Blind Corner Optimizer for Left Door/Blind Right Cabinets

4WLS87-12-L	Double for 12" Cabinet Opening	32-23/32" (831 mm) W x 14-3/8" (366 mm) D x 24-1/2 - 30-1/2" (623 - 775 mm) H	12" (305 mm)	BC42	\$724.25
4WLS87-15-L	Double for 15" Cabinet Opening	35-1/2" (902 mm) W x 16-7/16" (418 mm) D x 24-1/2 - 30-1/2" (623 - 775 mm) H	15" (381 mm)	BC45	\$740.25
4WLS87-18-L	Double for 18" Cabinet Opening	38-13/32" (976 mm) W x 18-15/32" (470 mm) D x 24-13/32 - 30-23/32" (621 - 781 mm) H	18" (457 mm)	BC48	\$761.10

# 53PSPE Series

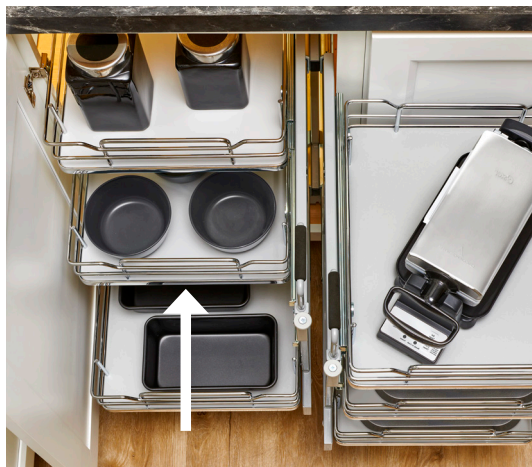
## Elite Solid-Bottom Blind Corner Optimizer



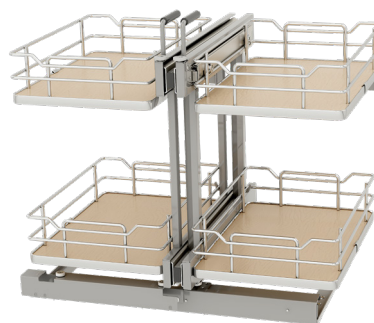
- Designed for full-height 15" and 18" blind corner cabinet openings
- Two or Three-tier wire frame
- (4) or (6) solid-bottom shelves, natural maple, gray or textured linen
- Up to (4) Independently sliding top shelves
- Chrome-plated round wire or orion gray flat wire
- Full-extension, ball-bearing slides with soft-close
- Universal mounting, non-handed
- Mounts to cabinet floor
- 27 lb. (per front shelf) and 34 lb. (per back shelf) capacity
- TSCA Title VI compliant

53PSPE3-18SC-MP

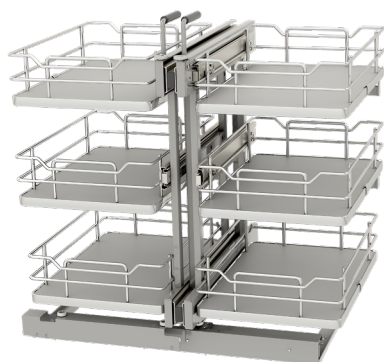




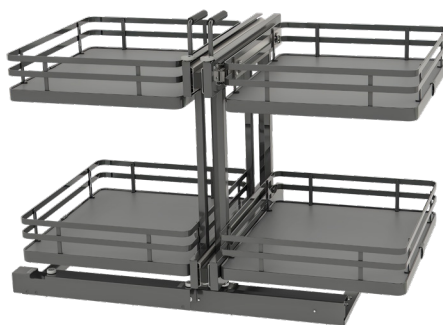
Sliding top shelves works independently from the lower shelves



**53PSPE-15SC-MP**  
Elite Two-Tier Blind  
Corner Optimizer  
(Maple finish shown)



**53PSPE3-15SC-MP**  
Elite Three-Tier Blind  
Corner Optimizer  
(Gray finish shown)

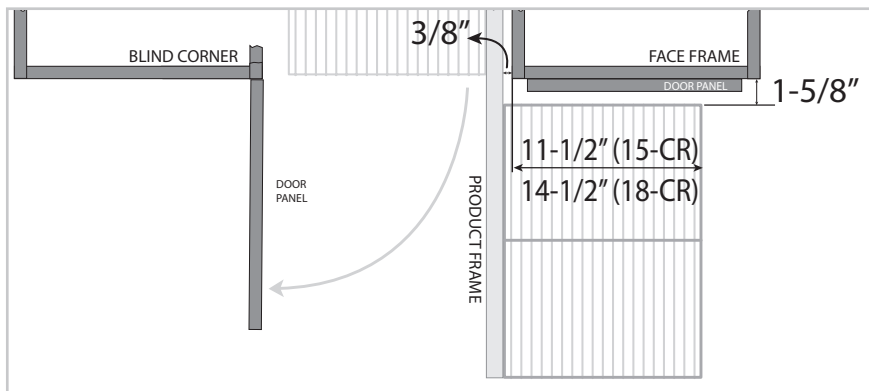


**53PSPE-18SC-FOG**  
Elite Two-Tier Blind  
Corner Optimizer  
(Orion Gray finish shown)

**SPACE BETWEEN SHELVES**

- Two-tier soft-close = 11" (279 mm)
- Three-tier soft-close = 7-15/16" (202 mm)
- Two-tier non soft-close = 10-9/32" (261 mm)

- 15" (381 mm) Min. Cabinet Width opening (15-CR)
- 18" (457 mm) Min. Cabinet Width opening (18-CR)
- Both Models:
- 21-21/32" (550 mm) Minimum Inside Cabinet Depth
- 22" (559 mm) Minimum Cabinet Height opening (5PSP)
- 25" (635 mm) Minimum Cabinet Height opening (5PSP3)



PRODUCT #	SURFACE AREA
53PSPE-15SC-**	194 in <sup>2</sup> per shelf
53PSPE-18SC-**	243 in <sup>2</sup> per shelf
53PSPE3-15SC-**	194 in <sup>2</sup> per shelf
53PSPE3-18SC-**	243 in <sup>2</sup> per shelf

**NOTE:** \*\* Insert "MP" for Maple Shelf or "GR" for Gray Shelf

**Elite Two-Tier Solid Bottom Blind Corner Optimizer - Non-Handed w/ Soft-Close**

PRODUCT	DESCRIPTION	DIMS	MCO	CAB	SLP
53PSPE-15SC-**	Two-Tier Blind Corner Optimizer	26-1/4" (667 mm) W x 20-1/4" (514 mm) D x 21" (533 mm) H	15" (381 mm)	BC45	\$1,116.50
53PSPE-18SC-**	Two-Tier Blind Corner Optimizer	32-1/4" (819 mm) W x 20-1/4" (514 mm) D x 21" (533 mm) H	18" (457 mm)	BC48	\$1,174.50

**Elite Three-Tier Solid Bottom Blind Corner Optimizer - Non-Handed w/ Soft-Close**

53PSPE3-15SC-**	Three-Tier Blind Corner Optimizer	26-1/4" (667 mm) W x 20-1/4" (514 mm) D x 24" (610 mm) H	15" (381 mm)	FHBC45	\$1,322.40
53PSPE3-18SC-**	Three-Tier Blind Corner Optimizer	32-1/4" (819 mm) W x 20-1/4" (514 mm) D x 24" (610 mm) H	18" (457 mm)	FHBC48	\$1,377.50

**Elite Two-Tier Solid Bottom Blind Corner Optimizer - Non-Handed w/ Soft-Close**

53PSPE-18SC-FOG	Two-Tier Blind Corner Optimizer	32-1/4" (820 mm) W x 20-13/32" (519 mm) D x 23-1/2" (597 mm) H	18" (458 mm)	BC48	\$1261.50
-----------------	---------------------------------	--	--------------	------	-----------

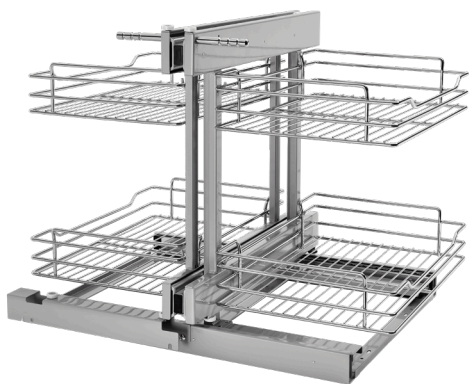


5PSP3-18SC-CR

- Designed for 15" and 18" blind corner cabinet openings
- Two or three-tier wire frame
- (4) or (6) wire bottom shelves with round wire accents
- (2) slide configurations:
  - Full-extension ball-bearing slides
  - Full-extension, ball-bearing slides w/ soft-close
- Full-extension, ball-bearing slides
- Universal mounting, non-handed
- Mounts to cabinet floor
- 15 lb. capacity per shelf



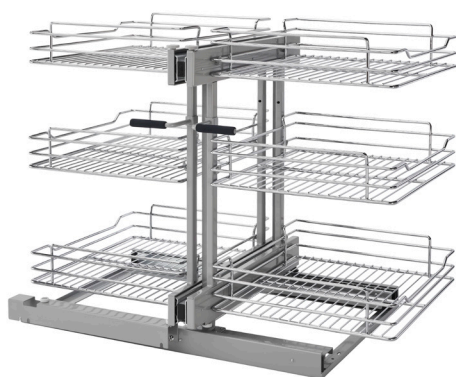
Scan for video



**5PSP-15-CR**  
Two-Tier Blind Corner Optimizer  
(15" Non Soft-Close version shown)



Unit partially extended



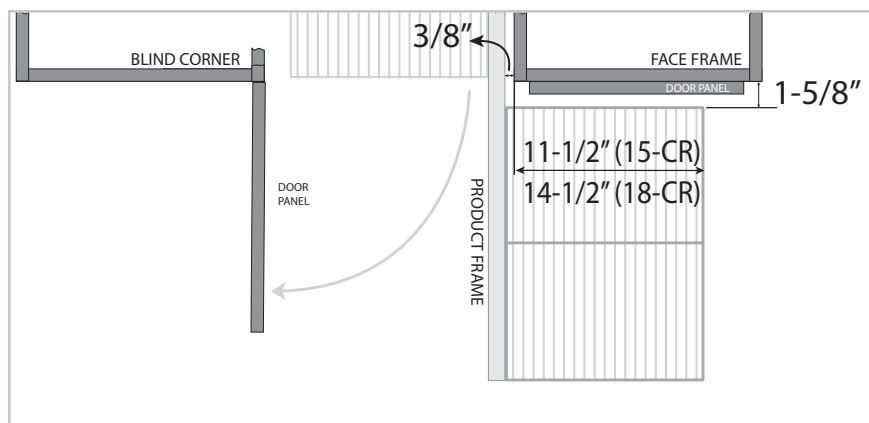
**5PSP3-18SC-CR**  
Three-Tier Blind Corner Optimizer  
w/ Soft-Close  
(18" version shown)

#### SPACE BETWEEN SHELVES

Two-tier soft-close = 11" (279 mm)  
Three-tier soft-close = 7-15/16" (202 mm)  
Two-tier non soft-close = 10-9/32" (261 mm)

15" (381 mm) Min. Cabinet Width opening (15-CR)  
18" (457 mm) Min. Cabinet Width opening (18-CR)  
Both Models:  
21-21/32" (550 mm) Minimum Inside Cabinet Depth  
22" (559 mm) Minimum Cabinet Height opening (5PSP)  
25" (635 mm) Minimum Cabinet Height opening (5PSP3)

PRODUCT #	SURFACE AREA
5PSP-15-CR	194 in <sup>2</sup> per shelf
5PSP-18-CR	243 in <sup>2</sup> per shelf
5PSP-15SC-CR	194 in <sup>2</sup> per shelf
5PSP-18SC-CR	243 in <sup>2</sup> per shelf
5PSP3-15SC-CR	194 in <sup>2</sup> per shelf
5PSP3-18SC-CR	243 in <sup>2</sup> per shelf



#### Three-Tier Wire Bottom Blind Corner Optimizer - Non-Handed w/ Soft-Close

PRODUCT	DESCRIPTION	DIMS	MCO	CAB	FINISH	SLP
5PSP3-15SC-CR	Three-Tier Blind Corner Optimizer	26-13/32" (671 mm) W x 20-13/32" (519 mm) D x 23-27/32" (606 mm) H	15" (381 mm)	FHBC42	Chrome	\$1,029.50
5PSP3-18SC-CR	Three-Tier Blind Corner Optimizer	32-1/4" (820 mm) W x 20-13/32" (519 mm) D x 23-27/32" (606 mm) H	18" (457 mm)	FHBC45	Chrome	\$1,073.00

#### Two-Tier Wire Bottom Blind Corner Optimizer - Non-Handed w/Soft-Close

5PSP-15SC-CR	Two-Tier Blind Corner Optimizer	26-13/32" (671 mm) W x 20-13/32" (519 mm) D x 21" (534 mm) H	15" (381 mm)	BC42	Chrome	\$870.00
5PSP-18SC-CR	Two-Tier Blind Corner Optimizer	32-1/4" (820 mm) W x 20-13/32" (519 mm) D x 21" (534 mm) H	18" (457 mm)	BC45	Chrome	\$971.500

#### Two-Tier Wire Bottom Blind Corner Optimizer - Non-Handed

5PSP-15-CR	Two-Tier Blind Corner Optimizer	26-1/4" (667 mm) W x 20" (508 mm) D x 20-3/4" (528 mm) H	15" (381 mm)	BC42	Chrome	\$710.50
5PSP-18-CR	Two-Tier Blind Corner Optimizer	32-1/4" (820 mm) W x 20" (508 mm) D x 20-3/4" (528 mm) H	18" (457 mm)	BC45	Chrome	\$797.50

Waste  
Blind Corner  
Sink  
Base  
Tall  
Drawer  
Wall  
Vanity  
Closet  
Lazy Susan  
Lighting

# 53PSP Series

## Solid Bottom Blind Corner Optimizer



- Designed for 15" and 18" blind corner cabinet openings
- Two or three-tier metal frame
- (4) or (6) solid bottom shelves, natural maple, gray or textured linen
- Chrome-plated round wire or orion gray flat wire
- Full-extension, ball-bearing slides w/ soft-close
- Universal mounting, non-handed
- Mounts to cabinet floor
- 27 lb. (per front shelf) and 34 lb. (per back shelf) capacity
- TSCA Title VI compliant

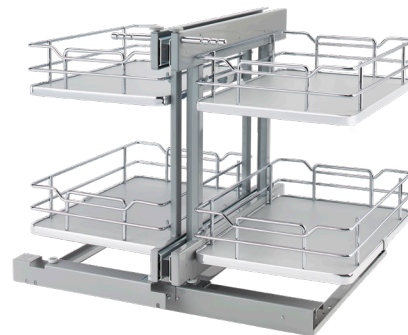
53PSP-18SC-FOG



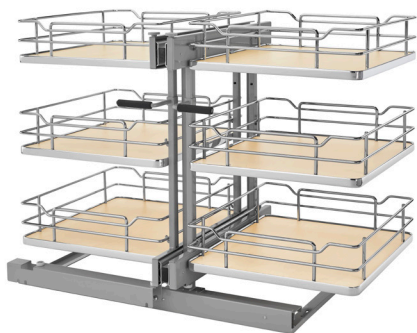
Scan for video



**53PSP-15SC-FOG**  
Two-Tier Blind Corner  
Optimizer w/ Soft-Close  
(15" version shown)



**53PSP-15SC-GR**  
Two-Tier Blind Corner  
Optimizer w/ Soft-Close  
(15" version shown)

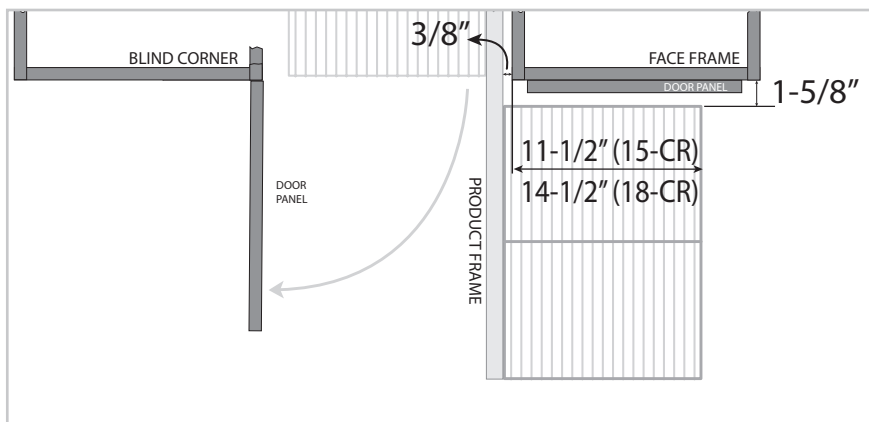


**53PSP3-18SC-MP**  
Three-Tier Blind Corner  
Optimizer w/ Soft-Close  
(18" version shown)

#### SPACE BETWEEN SHELVES

Two-tier soft-close = 11" (279 mm)  
Three-tier soft-close = 7-15/16" (202 mm)  
Two-tier non soft-close = 10-9/32" (261 mm)

15" (381 mm) Min. Cabinet Width opening (15-CR)  
18" (457 mm) Min. Cabinet Width opening (18-CR)  
Both Models:  
21-21/32" (550 mm) Minimum Inside Cabinet Depth  
22" (559 mm) Minimum Cabinet Height opening (5PSP)  
25" (635 mm) Minimum Cabinet Height opening (5PSP3)



PRODUCT #	SURFACE AREA
53PSP3-15SC-**	194 in <sup>2</sup> per shelf
53PSP3-18SC-**	243 in <sup>2</sup> per shelf
53PSP-15SC-**	194 in <sup>2</sup> per shelf
53PSP-18SC-**	243 in <sup>2</sup> per shelf

**NOTE:** \*\* Insert "MP" for Maple Shelf or "GR" for Gray Shelf

#### Two-Tier Solid Bottom Blind Corner Optimizer - Non-Handed w/ Soft-Close

PRODUCT	DESCRIPTION	DIMS	MCO	CAB	Maple	Gray
53PSP-15SC-**	Two-Tier Blind Corner Optimizer	26-1/4" (667 mm) W x 20-1/4" (514 mm) D x 21" (533 mm) H	15" (381 mm)	BC42	\$1,134.50	\$1,116.50
53PSP-18SC-**	Two-Tier Blind Corner Optimizer	32-1/4" (819 mm) W x 20-1/4" (514 mm) D x 21" (533 mm) H	18" (457 mm)	BC45	\$1,197.70	\$1,174.50

#### Three-Tier Solid Bottom Blind Corner Optimizer - Non-Handed w/ Soft-Close

53PSP3-15SC-**	Three-Tier Blind Corner Optimizer	26-1/4" (667 mm) W x 20-1/4" (514 mm) D x 24" (610 mm) H	15" (381 mm)	FHBC42	\$1,388.50	\$1,322.40
53PSP3-18SC-**	Three-Tier Blind Corner Optimizer	32-1/4" (819 mm) W x 20-1/4" (514 mm) D x 24" (610 mm) H	18" (457 mm)	FHBC45	\$1,475.25	\$1,377.50

#### Two-Tier Solid Bottom Blind Corner Optimizer - Non-Handed w/ Soft-Close

53PSP-15SC-FOG	Two-Tier Blind Corner Optimizer	26-1/4" (667 mm) W x 20-1/4" (514 mm) D x 21" (533 mm) H	15" (381 mm)	BC42	Orion Gray	\$1,131.00
53PSP-18SC-FOG	Two-Tier Blind Corner Optimizer	32-1/4" (819 mm) W x 20-1/4" (514 mm) D x 21" (533 mm) H	18" (457 mm)	BC45	Orion Gray	\$1,247.00

Waste  
Blind Corner  
Sink  
Base  
Tall  
Drawer  
Wall  
Vanity  
Closet  
Lazy Susan  
Lighting

# 582 Series

## The 'Curve' Contemporary Blind Corner

- Designed for face frame 18" blind corner cabinet openings (full access 18-7/8" min.)
- Two-tier metal frame
- (2) solid bottom shelves with Stylinox™ anti-skid finish, natural maple
- Chrome round wire accents
- Soft-close slides
- Left or right handed mounting
- Mounts to cabinet door, floor and side walls
- Adjustable mounting brackets
- 60 lb. capacity per shelf
- Shelves operate independently
- TSCA Title VI compliant



**COMPAGNUCCI**  
QUALITY MADE IN ITALY

**582-18-RMP**  
Two-Tier Blind Corner Organizer  
*(Right Door for Blind Left Corner Cabinet Shown)*

PRODUCT #	SURFACE AREA
582-18*	775 sq. in.

MINIMUM CABINET OPENING HEIGHT
22" (559 mm)

\* 18-7/8" to 19-7/8" FULL ACCESS cabinet opening

### Two-Tier Blind Corner

PRODUCT	DESCRIPTION	DIMS	MCO	CAB	FINISH	SLP
582-18-RMP	Right Door Mount for Blind Left Corner Cabinet	35-3/4" (909 mm) W x 18-5/8" (474 mm) D x 20-13/16 - 22-13/16" (529 - 580 mm) H	18" (457 mm) - FF 18-7/8" (479 mm) - FL	BC45	Maple/Chrome	\$1,174.50
582-18-LMP	Left Door Mount for Blind Right Corner Cabinet	35-3/4" (909 mm) W x 18-5/8" (474 mm) D x 20-13/16 - 22-13/16" (529 - 580 mm) H	18" (457 mm) - FF 18-7/8" (479 mm) - FL	BC45	Maple/Chrome	\$1,174.50

# Wire Bottom Two-Tier Blind Corner Optimizer

## 5707 Series

Waste

Blind Corner

Sink

Base

Tall

Drawer

Wall

Vanity

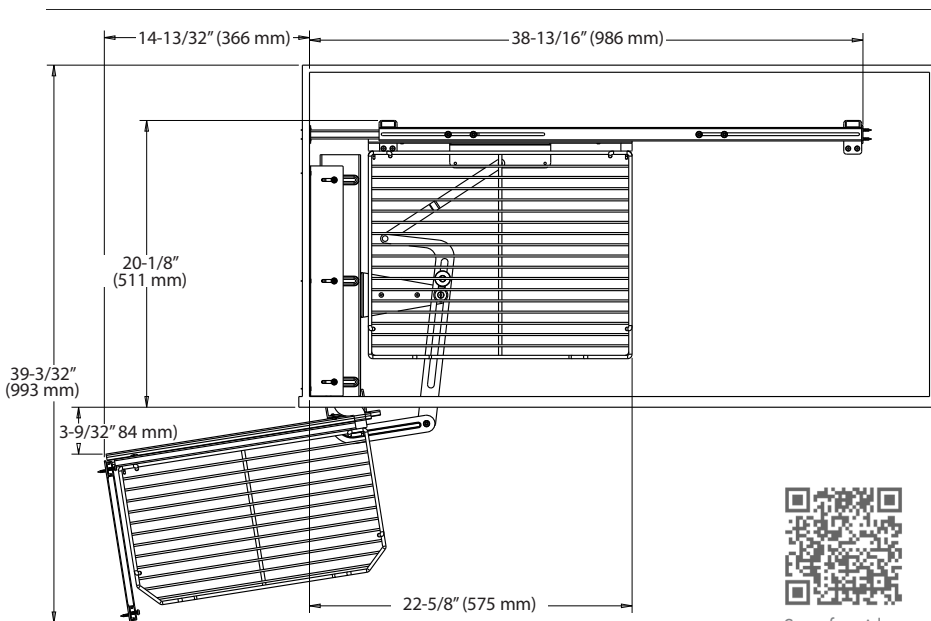
Closet

Lazy Susan

Lighting



- Designed for 15" and 18" blind corner cabinet openings
- Two-tier chrome wire bottom shelves
- Full-extension, ball-bearing slides w/ soft-close
- Soft-close slides
- Rear shelves slide forward as cabinet door opens
- Universal mounting, non-handed
- Front shelves feature 23 lb. capacity and rear shelves feature 36 lb. capacity per shelf
- Door tilt adjustment screws for precise alignment



Scan for video



### 5707-15CR

Wire Bottom Two-Tier  
Blind Corner Optimizer  
(15" version shown)

PRODUCT #	SURFACE AREA
5707-15CR	834 sq. in.
5707-18CR	941 sq. in.

### MINIMUM CABINET OPENING HEIGHT

20-3/4" (527 mm)

### Wire Bottom Two-Tier Blind Corner Organizer w/ Soft-Close

PRODUCT	DESCRIPTION	DIMS	MCO	CAB	FINISH	SLP
5707-15CR	Blind Corner Organizer for 15" Opening	See detailed specifications above in illustration	15" (381 mm)	BC42	Chrome	\$1,087.50
5707-18CR	Blind Corner Organizer for 18" Opening	See detailed specifications above in illustration	18" (457 mm)	BC45	Chrome	\$1,087.50

# Lazy Susans

## Half-Moon Lazy Susans



4WLS882-35-570

- Designed for 12", 15" and 18" blind corner cabinet openings
- Double solid bottom shelves, natural or wood classic
- Wood classic features solid rim and natural features steam bent rim
- Pivot and slide hardware
- 90° hinge euro brackets and standard mounting brackets
- Chrome-plated shafts
- TSCA Title VI compliant

### Polymer

- Designed for 42", 45" and 48" blind corner cabinets
- Single and double solid bottom polymer shelves, almond or white
- Non-handed
- Pivot and slide hardware
- 90° hinge euro brackets and standard mounting brackets
- Chrome-plated shafts

### Chrome Wire

- Designed for 18-1/2" min. blind corner cabinet opening
- Single chrome wire bottom shelf
- Ball-bearing slides
- Pivot and slide hardware
- Chrome-plated shafts



6882-33-11-570



5881-33CR-1

See pg. 313 for wood classic, pg. 317 for natural wood  
and pg. 303 for polymer specification drawings





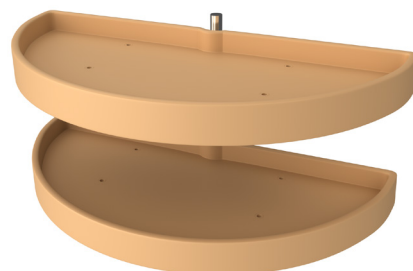
**LD-4NW-882-38-1**  
Natural Wood Half-Moon  
Lazy Susan w/ Pivot and Slide  
(38" version shown)



**6881-31-11-52**  
RAS Polymer Half-Moon  
Lazy Susan  
(31" White version shown)



**5881-33CR-1**  
Chrome Wire Half-Moon  
Lazy Susan



**6882-33-15-570**  
(2) Shelf RAS Polymer Half-Moon  
Lazy Susan  
(33" Almond version shown)

### Chrome Wire Half-Moon

PRODUCT #	SURFACE AREA
5881	289 sq. in.

### Wood Half-Moon

PRODUCT #	SURFACE AREA
32" Half-Moon	352 sq. in.
35" Half-Moon	456 sq. in.
38" Half-Moon	501 sq. in.

### Polymer Half-Moon

PRODUCT #	SURFACE AREA
31" Half-Moon	274 sq. in.
33" Half-Moon	289 sq. in.
39" Half-Moon	501 sq. in.

\*\* Insert "11" for White Shelf or "15" for Almond Shelf

#### (2) Shelf Wood Classic Half-Moon Lazy Susans w/ Pivot and Slide

PRODUCT	DESCRIPTION	DIMS	MCO	CAB	FINISH	SLP
4WLS882-32-570	(2) Shelf Set	32-1/4" (820 mm) W x 14-5/32" (360 mm) D x 16" (407 mm) H	12" (305 mm) - FF 13-1/4" (337 mm) - FL	BC42	Maple	\$442.25
4WLS882-35-570	(2) Shelf Set	35" (889 mm) W x 17-5/32" (436 mm) D x 16" (407 mm) H	15" (381 mm) - FF 16-1/4" (413 mm) - FL	BC45	Maple	\$517.65
4WLS882-38-570	(2) Shelf Set	37-3/4" (959 mm) W x 20-3/16" (513 mm) D x 16" (407 mm) H	18" (457 mm) - FF 19-1/4" (489 mm) - FL	BC48	Maple	\$596.10

#### Natural Wood Half-Moon Lazy Susans w/ Pivot and Slide

LD-4NW-882-32-1	(2) Shelf Set	32-1/4" (820 mm) W x 14-1/16" (358 mm) D x 16" (407 mm) H	12" (305 mm) - FF 13-1/4" (337 mm) - FL	BC42	Maple	\$493.00
LD-4NW-882-35-1	(2) Shelf Set	35" (889 mm) W x 17-1/16" (434 mm) D x 16" (407 mm) H	15" (381 mm) - FF 16-1/4" (413 mm) - FL	BC45	Maple	\$536.50
LD-4NW-882-38-1	(2) Shelf Set	37-5/8" (957 mm) W x 20-1/16" (510 mm) D x 16" (407 mm) H	18" (457 mm) - FF 19-1/4" (489 mm) - FL	BC48	Maple	\$609.00

#### (2) Shelf RAS Polymer Half-Moon Lazy Susan w/ Pivot

6842-31-**-570	(2) Shelf Set	31-7/16" (799 mm) W x 15-9/32" (389 mm) D x 15-15/16" (405 mm) H	13-1/4" (337 mm) - FF 15" (381 mm) - FL	BC42	Polymer	\$227.65
6842-33-**-570	(2) Shelf Set	33" (839 mm) W x 18-11/32" (467 mm) D x 15-15/16" (405 mm) H	16-1/8" (410 mm) - FF 17-7/16" (443 mm) - FL	BC45	Polymer	\$233.45
6842-39-**-570	(2) Shelf Set	39-11/32" (1000 mm) W x 21-5/8" (550 mm) D x 15-15/16" (405 mm) H	19-1/4" (489 mm) - FF 20-3/4" (527 mm) - FL	BC48	Polymer	\$271.15

#### RAS Polymer Half-Moon Lazy Susan w/ Pivot and Slide

6881-31-**-52	Single Shelf	31-7/16" (799 mm) W x 15-1/16" (383 mm) D x 5-1/16" (129 mm) H	13-1/4" (337 mm) - FF 15" (381 mm) - FL	BC42	Polymer	\$187.05
6881-33-**-52	Single Shelf	33" (839 mm) W x 18-3/32" (460 mm) D x 5-1/16" (129 mm) H	16-1/8" (410 mm) - FF 17-7/16" (443 mm) - FL	BC45	Polymer	\$188.50
6881-39-**-52	Single Shelf	39-11/32" (1000 mm) W x 21-3/8" (544 mm) D x 5-1/16" (129 mm) H	19-1/4" (489 mm) - FF 20-3/4" (527 mm) - FL	BC48	Polymer	\$207.35

#### (2) Shelf RAS Polymer Half-Moon Lazy Susan w/ Pivot and Slides

6882-31-**-570	(2) Shelf Set	31-7/16" (799 mm) W x 15-1/4" (388 mm) D x 15-15/16" (405 mm) H	13-1/4" (337 mm) - FF 15" (381 mm) - FL	BC42	Polymer	\$319.00
6882-33-**-570	(2) Shelf Set	33" (839 mm) W x 18-11/32" (466 mm) D x 15-15/16" (405 mm) H	16-1/8" (410 mm) - FF 17-7/16" (443 mm) - FL	BC45	Polymer	\$324.80
6882-39-**-570	(2) Shelf Set	39-11/32" (1000 mm) W x 21-5/8" (549 mm) D x 15-15/16" (405 mm) H	19-1/4" (489 mm) - FF 20-3/4" (527 mm) - FL	BC48	Polymer	\$366.85

#### Chrome Wire Half-Moon Lazy Susan w/ Pivot and Slide

5881-33CR-1	Single Shelf	33-29/32" (862 mm) W x 18-1/2" (470 mm) D x 5-1/8" (131 mm) H	18-1/2" (469 mm)	BC48	Chrome	\$174.00
-------------	--------------	---	------------------	------	--------	----------

#### Hardware

6882-1008-04-52	Half-Moon Slide Kit (1 Pair)	10-1/2" (267 mm) Extension			Polymer	\$65.25
-----------------	------------------------------	----------------------------	--	--	---------	---------

# 599 Series

# Solid Bottom Two-Tier Blind Corner Optimizer



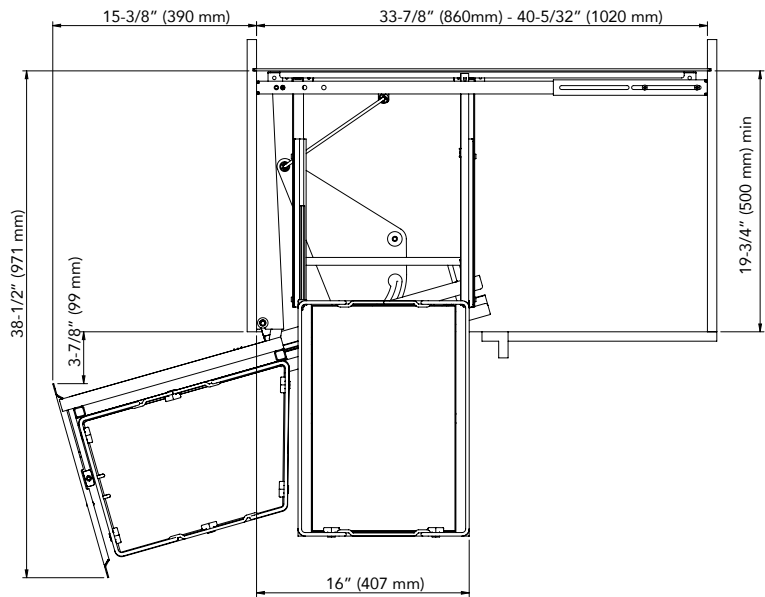
- Designed for 18" blind corner cabinet openings
- Two-tier metal frame
- (4) solid bottom shelves with Stylinox™ anti-skid finish, natural maple
- Chrome round wire accents
- Full-extension, progressive roller slides w/ soft-close
- Left or right handed mounting
- Mounts to cabinet door, floor and side walls
- Adjustable mounting brackets
- 20 lb. capacity per shelf
- Rear shelves slide forward as door opens
- TSCA Title VI compliant



599-18-RMP



**599-18-RMP**  
Solid Bottom Two-Tier Optimizer  
(Right 18" version shown)



**MINIMUM CABINET HEIGHT**

26-5/8" (676 mm)

**PRODUCT # SURFACE AREA**

599-18-L/RMP 726 sq. in.

**NOTE:** This product was designed for frameless cabinets. Modifications are required to install in a face frame cabinet. This product **CANNOT** be installed in an inset cabinet.

**Solid Bottom Two-Tier Blind Corner Optimizer w/ Soft-Close**

PRODUCT	DESCRIPTION	DIMS	MCO	CAB	FINISH	SLP
599-18-LMP	Left Door Mount for Blind Right Corner Cabinet	See Drawings Above	18" (457 mm)	FHBC45	Maple/Chrome	\$1,754.50
599-18-RMP	Right Door Mount for Blind Left Corner Cabinet	See Drawings Above	18" (457 mm)	FHBC45	Maple/Chrome	\$1,754.50